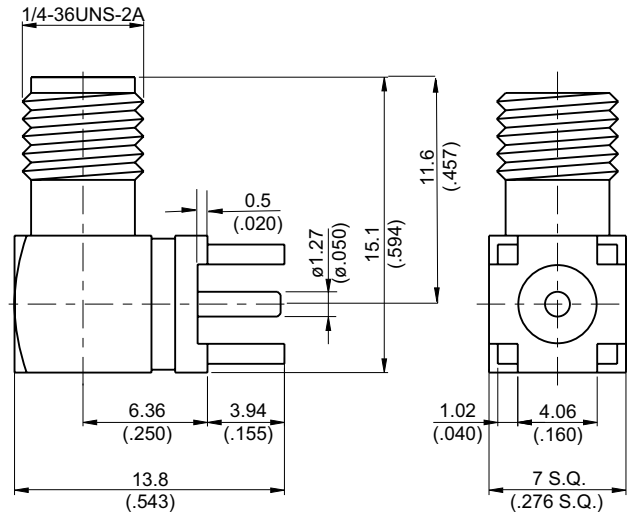
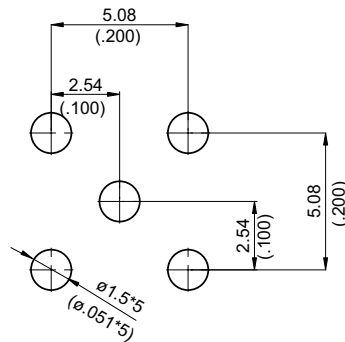


SMA8400-9000

SMA Jack P.C.B Mount Right Angle 50Ω



MOUNTING HOLE :



Parts	Material	Plating (Micro-inch)
Part	Brass	Gold 4 Over Nickel Phosphorous Alloy 80 Over Copper 20
Cover	Brass	Gold 4 Over Nickel Phosphorous Alloy 80 Over Copper 20
Contact Pin 1	Beryllium Copper	Gold 4 Over Nickel Phosphorous Alloy 80 Over Copper 20
Insulator	Teflon	
Contact Pin 2	Brass	Gold 4 Over Nickel Phosphorous Alloy 80 Over Copper 20
Body	Brass	Gold 4 Over Nickel Phosphorous Alloy 80 Over Copper 20
Housing	Brass	Gold 4 Over Nickel Phosphorous Alloy 80 Over Copper 20

Weight: 3.7 g

This part number complies with RoHS.

Notice: JYEBAO reserves the right to make modifications deemed appropriate.