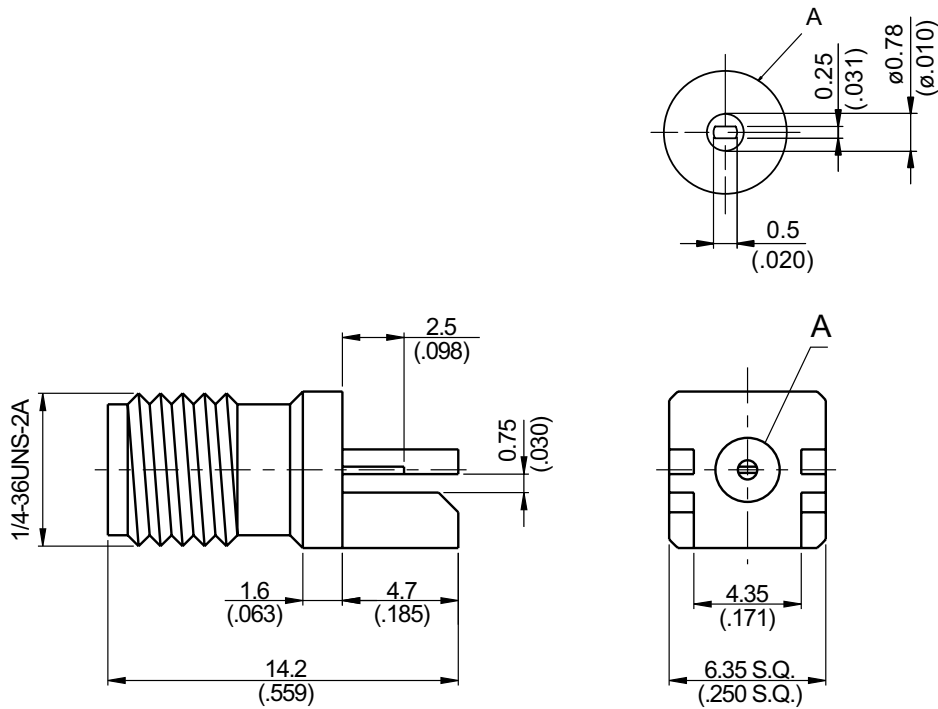


SMA94ND-0000

SMA Reverse Polarity Jack P.C.B. Mount (End Launch)

50Ω



Parts	Material	Plating (Micro-inch)
Contact Pin	Brass	Gold 20 Over Nickel 50 Over Copper 50
Insulator	Teflon	
Body	Brass	Gold 5 Over Nickel 50 Over Copper 50

Weight: 1.63 g

This part number complies with RoHS.

Notice: JYEBAO reserves the right to make modifications deemed appropriate.