

# **SPECIFICATION FOR APPROVAL**

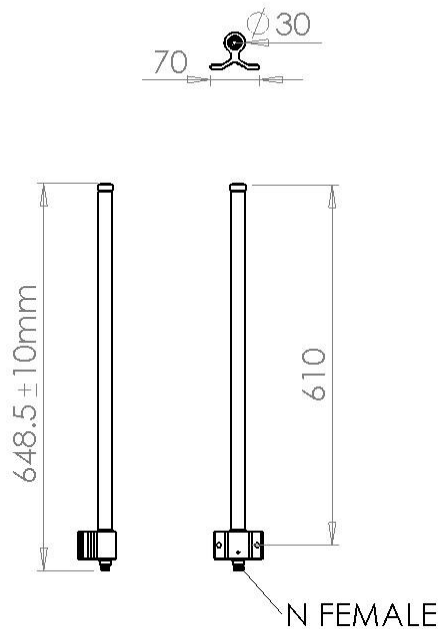
**Customer :**

**Model No. :** AO-8040

**Description :** 1920~2170 MHz OMNI ANTENNA

**Date :** 2008/06/26

**Rev :** 1

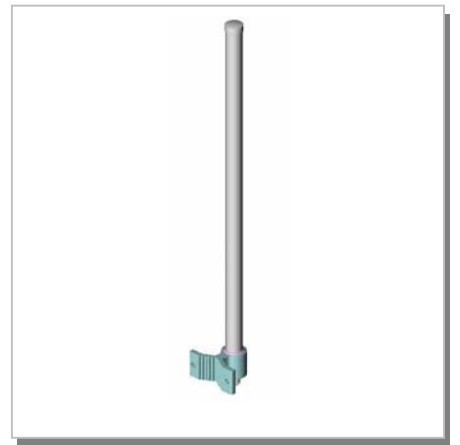


### **Electrical Specifications:**

Frequency Range :	1920~2170 MHz
VSWR :	≤ 2.0
Impedance :	50Ω ± 5Ω
Gain :	8 dBi
Polarization :	Vertical
Power Handling :	10 Watt
Beam Width :	H: 360° / E: 18.3°

### **Mechanical Specifications:**

Connector :	N Female
Operation Temp. :	-30°C ~ +60°C
Material :	Radome: Fiberglass Base: Aluminum Alloy Mount: Aluminum
Dimension (L*W*H) :	648.5±10mm*Ø30 mm
Weight :	318g ± 20g (w/ mount)
Color :	White

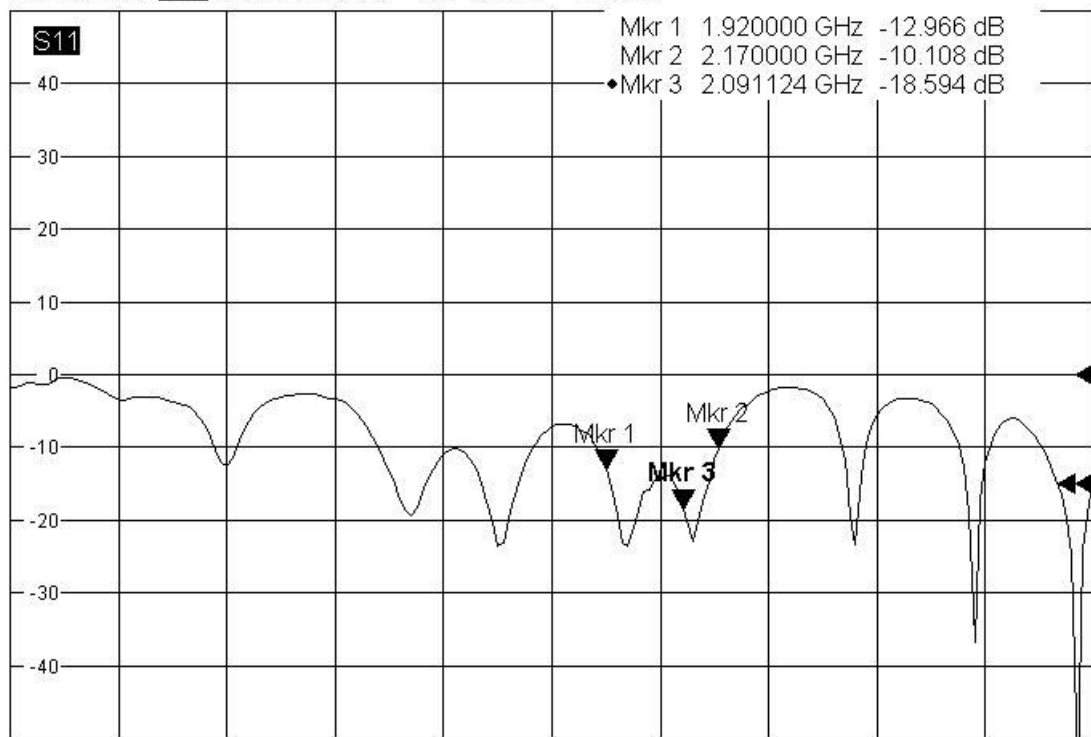


# RETURN LOSS

Trc1 S11 dB Mag 10 dB / Ref 0 dB Cal  
Trc2 S21 dB Mag 5 dB / Ref -55 dB Invisible  
Mem3[Trc2] S21 dB Mag 5 dB / Ref -55 dB Invisible



1



Ch1 Start 600 MHz

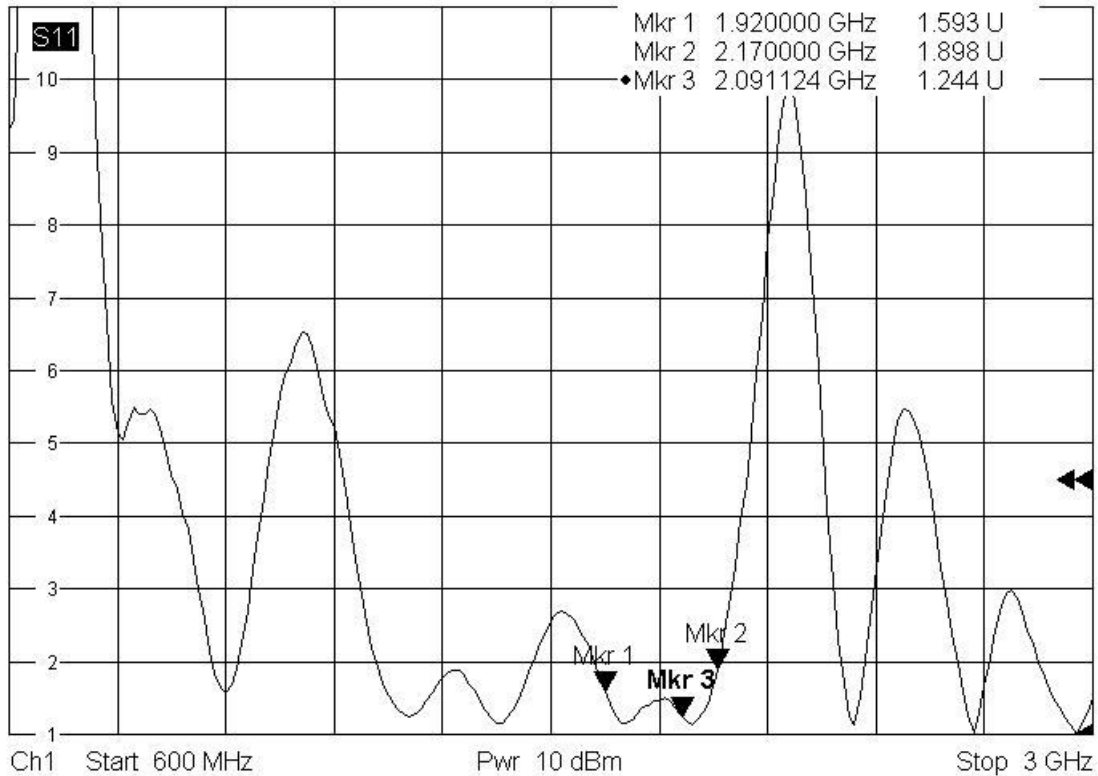
Pwr 10 dBm

Stop 3 GHz

6/26/2008, 4:03 PM

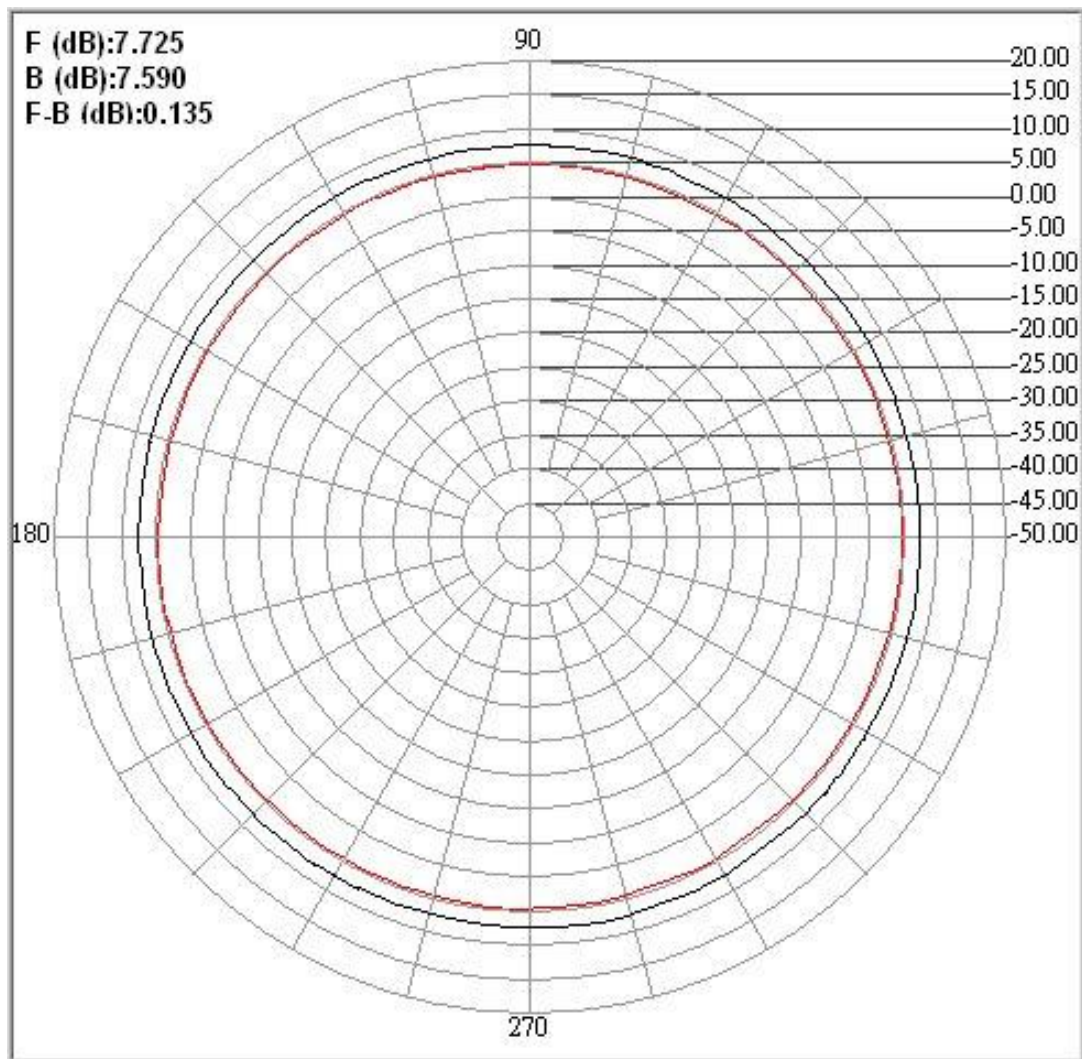
# SWR

Trc1 S11 SWR 1 U / Ref 1 U Cal  
Trc2 S21 dB Mag 5 dB / Ref -55 dB Invisible  
Mem3[Trc2] S21 dB Mag 5 dB / Ref -55 dB Invisible



6/26/2008, 4:04 PM

## **H-PLANE**



## **E-PLANE**

