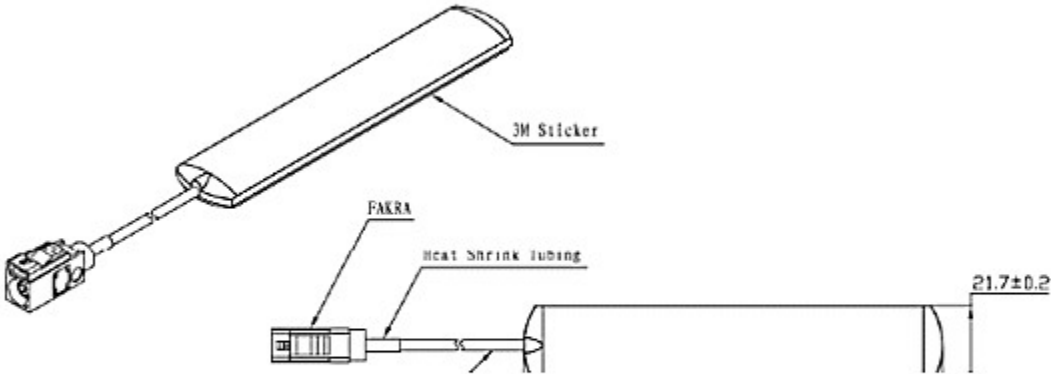


# WIFI Antenna



## DIMENSIONS



## SPECIFICATIONS

Item	Specifications	
Antenna	Frequency Range	2400~2483.5MHz
	Polarization	Linear
	Gain (Zenith)	3.0dBi
	V.S.W.R(min)	<2.0
	Impedance	50 $\Omega$
	PCB Dimension	104.6*15*1mm
Mechanical	Cable	RG174
	Connector	FAKRA/SMA or others
	Radome Material	ABS
	Mounting Method	Adhesive
Environmental	Operating Temperature	-40°C~+85°C
	Relative Humidity	Up to 95%
	Vibration	10 to 55Hz with 1.5mm amplitude 2hours
	Environmentally Friendly	ROHS Compliant

## Radiation Pattern

