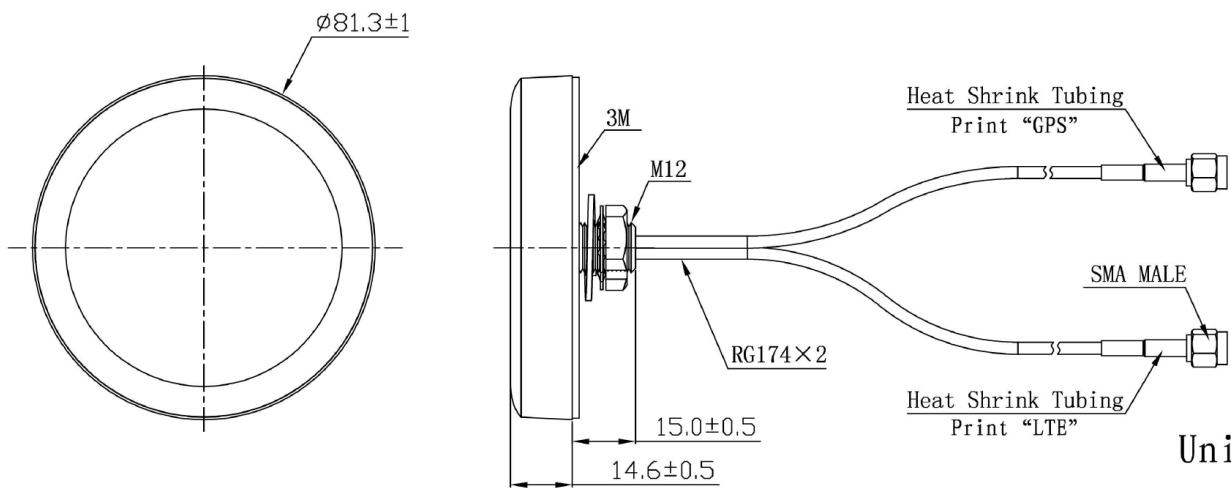


GPS/GLONASS+LTE Combo Antenna

90-ANT-7044



Dimensions



Unit: mm

GPS/GLONASS+LTE Combo Antenna

90-ANT-7044

Specifications

Item		Specifications	
GPS/GLONASS Antenna	Dielectric Antenna	Frequency Range	1575-1610MHz
		Polarization	RHCP
		Gain	2dBic (Zenith)
		V.S.W.R	<1.5
		Impedance	50Ω
	LNA	Gain	28±2dB
		Noise Figure	<2dB
		V.S.W.R	<2.0
		Supply Voltage	3~5V DC
		Current Consumption	<20mA
LTE Antenna		Frequency Range	698~960MHz/1710~2690MHz
		V.S.W.R	<3.0
		Polarization	Linear
		Gain	2.5dBi
		Impedance	50Ω
Mechanical		Cable	RG174
		Connector	SMA or others
		Material	ABS
		Mounting Method	Screw
Environmental		Operating Temperature	-40°C~+85°C
		Relative Humidity	Up to 95%
		Ingress Protection	IP67 (exclude cable outlet)
		Vibration	10 to 55Hz with 1.5mm amplitude 2hours
		Environmentally Friendly	ROHS Compliant

GPS/GLONASS+LTE Combo Antenna

90-ANT-7044

GPS Antenna

