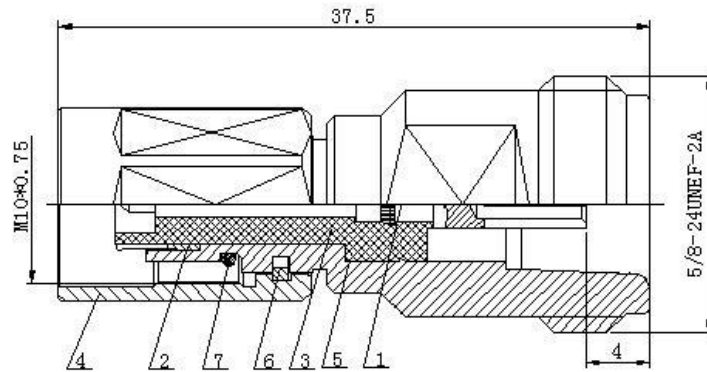


## TECHNICAL SPECIFICATION

RF Adapter NEX10 male N-type female

Rev:A/0

### 1. Figure



### 2. Product Description

1). Connectors	Connector	NEX10 type male(Screw Type)	N type female (Screw type)
	Inner Conductor Pin	Brass/Silver Plating	Brass/Silver Plating
	Body&Outer Conductor	Brass/Trimetal Plating	Brass/Trimetal Plating
	Insulator	PTFE	PTFE
	Gasket	Silicon Rubber	
	Nut	Brass/Nickel Plating	

### 3. Electrical Characteristics

Characteristics Impedance	50 Ohm
Frequency Range	DC~7.5GHz
Insulation Resistance	≥5000MΩ
Dielectric Withstanding Voltage	2500V rms (DC)
Operating Voltage	1000V rms
Insertion Loss @DC-3.0 GHz	≤0.1
VSWR @DC-3.0 GHz	≤1.15
PIM	≤-165dBc

### 4. Environmental and Mechanical Specifications

Durability (matings)	≥500 cycles
Mechanical Shock Test Method	MIL-STD-202, Method 213, Test Condition D
Vibration Test Method	MIL-STD-202, Meth. 204, Cond. A
Temperature Range	-40°C to +85°C
RoHS	Compliant
Sealing Class	IP67

The facts and figures contained herein are carefully compiled to the best of our knowledge, but they are intended for general informational purposes only.