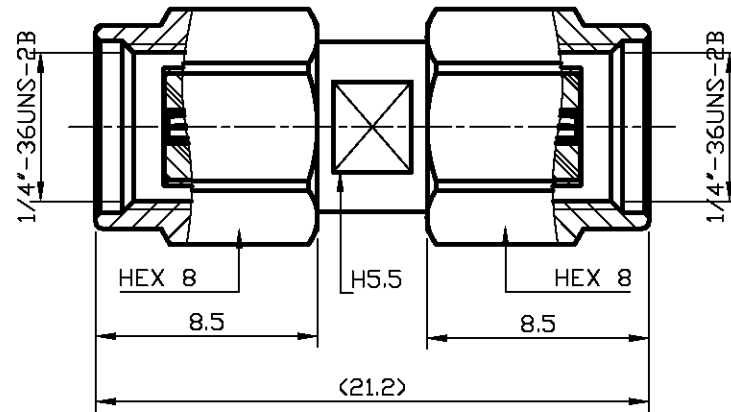
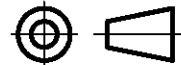
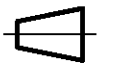


| | | | | | | | |
|---|---|---|---|---|---|---|---|
| 1 | 2 | 3 | 4 | 5 | 6 | 7 | 8 |
|---|---|---|---|---|---|---|---|

NOMINAL IMPEDANCE : 50Ω
 FREQUENCY RANGE : 0 ~ 6GHz
 VSWR : 1.2 MAX
 PACKING : 100 PCS/BAG

| 版本 REV | 變更日期 DATE | 改版說明 DESCRIPTION | 確認 APPROVED |
|-----------|--------------|---------------------|----------------|
| B | 2022/06/02 | MODIFIED DESIGN | <i>Justice</i> |



| | | | | | | | | |
|----|----------------------|-----------------|------|--------|--|---|--------------------|------------------------------------|
| | | | | | 製圖&設計 R&D | <i>Justice</i> 2020/03/04 | | |
| | | | | | 檢圖&核定 APPROVED | <i>Tai</i> 2020/03/04 | | |
| 06 | BODY | BRASS | 1 | GOLD | 一般公差 TOLERANCES | ±0.1 | | |
| 05 | INSULATOR | TEFLON | 1 | -- | 圖紙比例 SCALE | 5:1 | 品名 P/N | SAPJ-SAPJ-5S01PG |
| 04 | INNER RETAINING RING | STAINLESS STEEL | 2 | -- |  ALL DIMENSION IN mm (UNLESS OTHERWISE SPECIFIED) |  | 版本 REV | B |
| 03 | GASKET | SILICONE | 2 | RED | | | 敘述 TITLE | SMA Plug RP To SMA Plug RP Adaptor |
| 02 | CENTER PIN | PHOSPHOR BRONZE | 1 | GOLD | RoHS COMPLIANT | | UNIT WEIGHT: 5.15g | |
| 01 | SHELL | BRASS | 2 | GOLD | | | | |
| NO | DESCRIPTION | MATERIAL | Q'TY | FINISH | ITEM | | | |

| | | | | | | | |
|---|---|---|---|---|---|---|---|
| 1 | 2 | 3 | 4 | 5 | 6 | 7 | 8 |
|---|---|---|---|---|---|---|---|

Product Specification(產品規格書)

Date: 2022/JUN/02
Rev: B

P/N (品名): SAPJ-SAPJ-5S01PG

Title(序述): SMA Plug RP To SMA Plug RP Adaptor

| Items (項目) | Specs (規格值) | Remarks (備註) |
|--|---------------------------------|---|
| Impedance (阻抗) | 50 Ω | |
| Frequency Range (頻率) | DC~6 GHz | |
| V.S.W.R (駐波比) | ≤1.2 | |
| Working Voltage (定格電壓) | AC 500V | |
| Dielectric Withstanding Voltage (耐電壓) | AC 1,000V | 1 min |
| Insulation Resistance (絕緣抵抗) | ≥5,000mΩ | DC 500V |
| Contact Resistance (接觸抵抗) | Center Contact ≤3.0mΩ (中心導體) | DC 10mA |
| | Outer Contact ≤2.0mΩ (外部導體) | DC 10mA |
| Mating (插拔方式) | Screw-On | 1/4"-36 threaded |
| Durability (插拔次數) | ≥500 matings | For Beryllium Copper Female Contact Only |
| Temperture Range (溫度範圍) | -40°C ~85°C | |
| Material / Finish (材料/電鍍) | All Rohs Compliant | Cd 75ppm Max |

