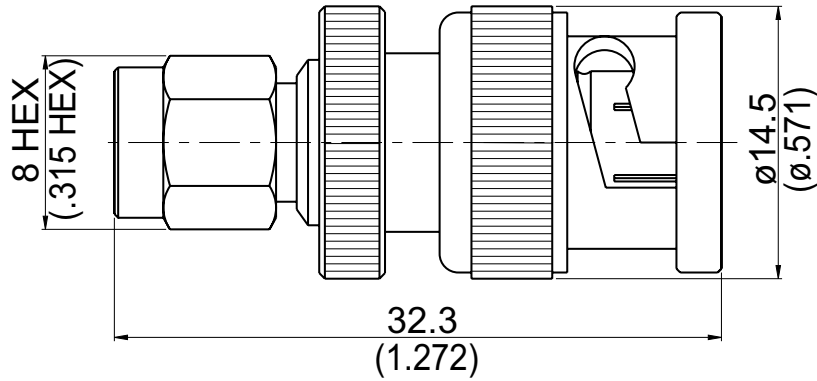


AD-A3B3

SMA Plug To BNC Plug

50Ω



NOTE: VSWR 1.2:1 MAX UP TO 4 GHz.

Parts	Material	Plating (Micro-inch)
Coupling Nut(SMA)	Brass	Gold 4 Over Nickel-Phosphorus Alloy 80 Over Copper 20
Body(SMA)	Brass	Gold 4 Over Nickel-Phosphorus Alloy 80 Over Copper 20
Renber Ring	Beryllium Copper	Tin-Zinc-Copper-Alloy 100 Over Copper 50
Gasket	Silicon	
Spring	SK5	Tin-Zinc-Copper-Alloy 100 Over Copper 50
Washer	Brass	Tin-Zinc-Copper-Alloy 100 Over Copper 50
Contact Pin	Brass	Gold 4 Over Nickel-Phosphorus Alloy 80 Over Copper 20
Insulator	Teflon	
Body(BNC)	Brass	Tin-Zinc-Copper-Alloy 100 Over Copper 50
Coupling Nut(BNC)	Brass	Tin-Zinc-Copper-Alloy 100 Over Copper 50

Weight: 14.72 g

This part number complies with RoHS.

Notice: JYEBAO reserves the right to make modifications deemed appropriate.