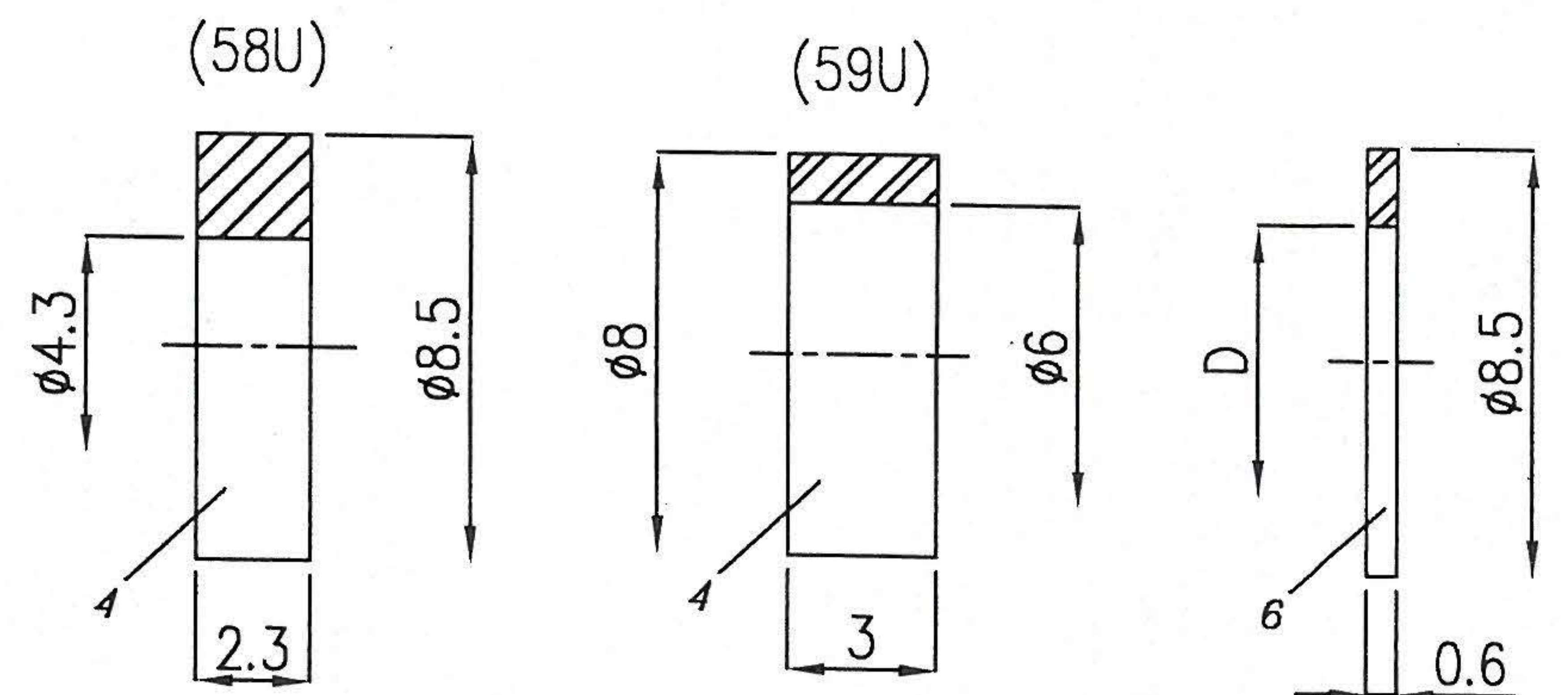
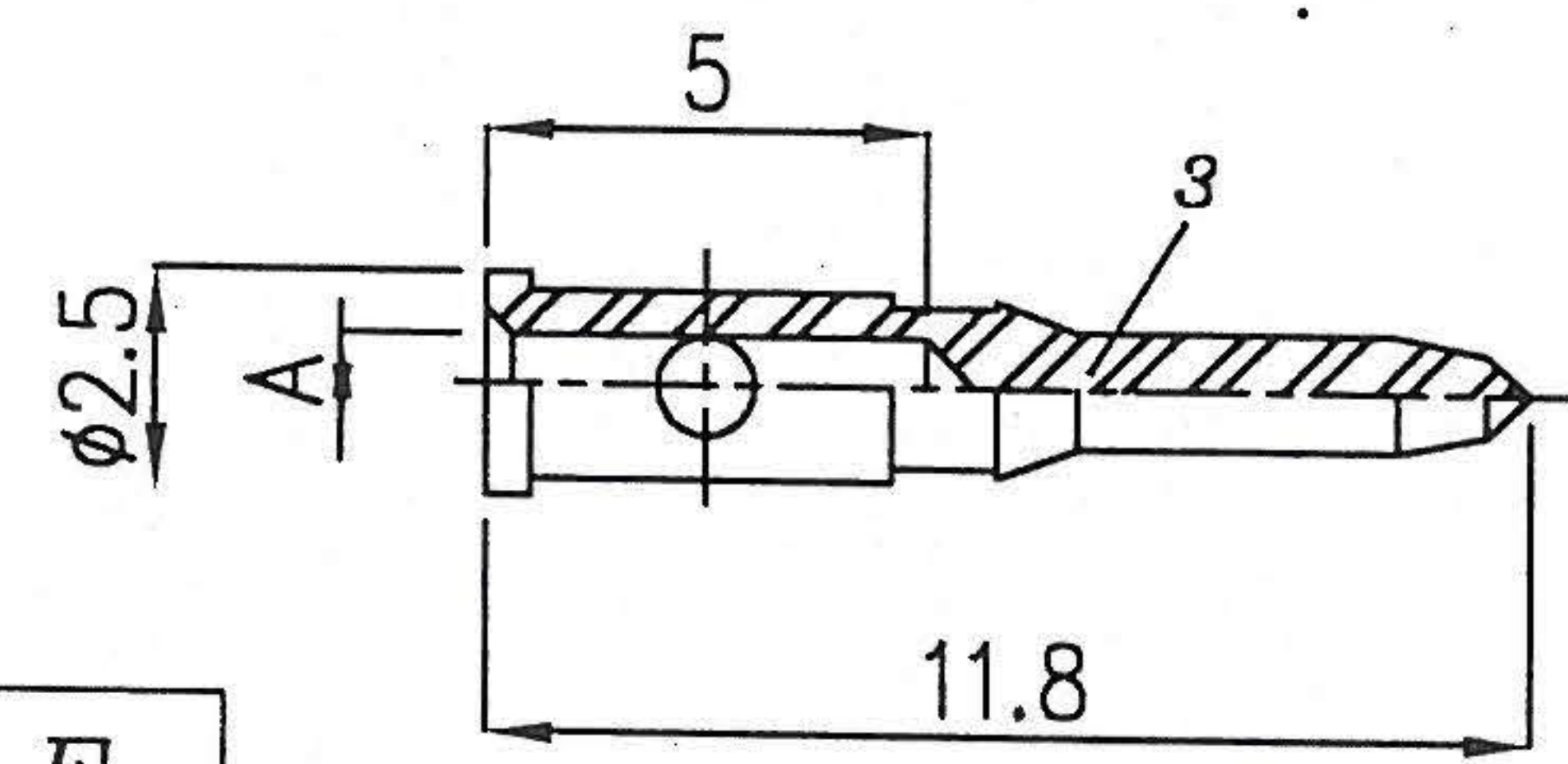
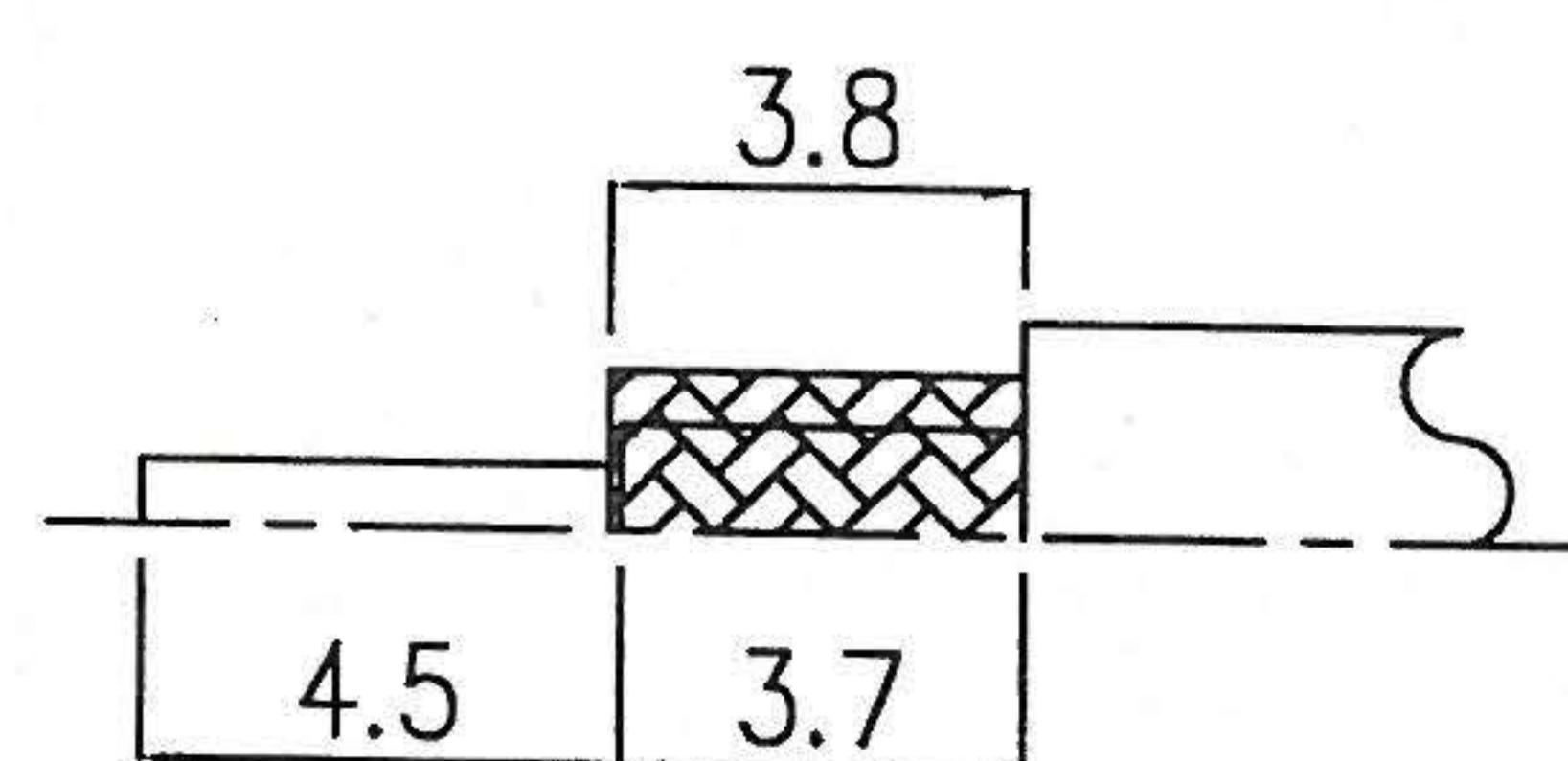


2014.11.13



MODEL	A	B	C	D	E
B-112F-ROHS (58U)	1.05	4.5	5.5	5.4	5.5
B-112G-ROHS (59U)	0.75	5.5	6.5	6.4	6.5

NO	DESCRIPTION	Q'TY	ITEM NO.	MATERIAL	PLATING
1	BODY	1	B-112-ROHS	BRASS	NICKEL 100μ" MIN.
2	DIELECTRIC	1	T-070003	PTFE	-
3	CENTER PIN	1	B-111F.G-ROHS	BRASS	GOLD 3-5μ" MIN.
4	GASKET	1	G-08002 G-08005	SILICON RUBBER	-
5	CLAMP	1	CL-07001.02-ROHS	BRASS	NICKEL 100μ" MIN.
6	WASHER	1	W-08002.03-ROHS	BRASS	NICKEL 100μ" MIN.
7	NUT	1	Hn-09002.03-ROHS	BRASS	NICKEL 100μ" MIN.
8	SHELL	1	S-14001-ROHS	BRASS	NICKEL 100μ" MIN.
9	WASHER	1	W-12001-ROHS	BRASS	NICKEL 100μ" MIN.
10	WASHER	1	W-10001	SK5 HIGH CARBON STEEL	NICKEL 100μ" MIN.
11	RETAINING RING	1	CW-12001-ROHS	BRASS	NICKEL 100μ" MIN.
12	GASKET	1	G-10001	RUBBER	-

DR.SIEGER / LEDINO Item No. B 85 G Brass/Nickel/Teflon

編號 ITEM NO.	B-112-ROHS		圖號 DRAWING NO.	.A\B\B-112-ROHS		版次 EDITION	A 版	
電鍍 PLATING	NGT		日期 DATE	2007年05月24日		製圖 DRAWER	Elva	
描述 DESCRIPTION	BNC MALE SCREW-ON TYPE (RG-58.59) (50Ω)		單位 UNIT	mm	比例 SCALE	3.6:1		設計 DESIGN
	公差	0-0.5mm ± 0.10mm	0.5-8mm ± 0.20mm	8-30mm ± 0.40mm	30-120mm ± 0.50mm	認定 APPROVED	[Signature]	

NGT: 1st N is Nickel for body. 2nd G is Gold for pin. 3rd T is PTFE for insulation.