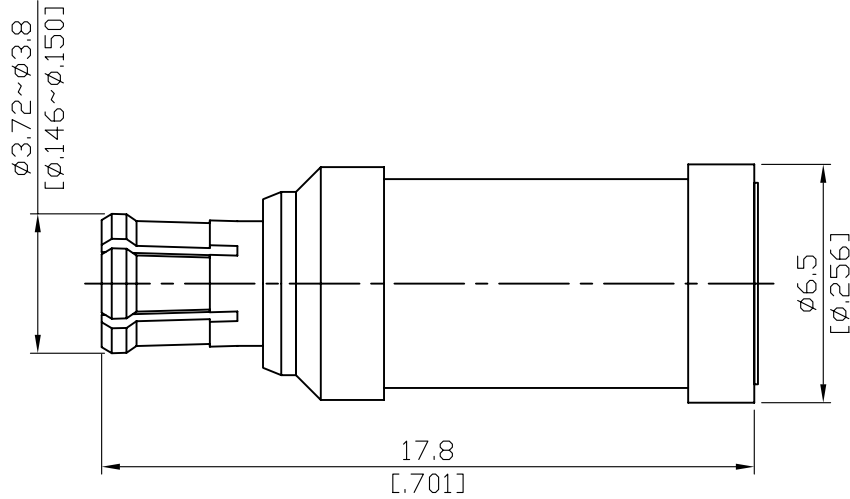


MCX3900-0006

MCX Plug Termination

50Ω



VSWR 1.20 : 1 up to 6Ghz  
2W average power

Parts	Material	Plating ( Micro-inch )
Label		
Contact Body	Brass	Gold 4 Over Nickel-Phosphorus Alloy 80 Over Copper 20
Term	Carbon	
Contact Pin	Brass	Gold 4 Over Nickel-Phosphorus Alloy 80 Over Copper 20
Insulator	Teflon	
Body	Brass	Gold 4 Over Nickel-Phosphorus Alloy 80 Over Copper 20
Body	Beryllium Copper	Gold 4 Over Nickel-Phosphorus Alloy 80 Over Copper 20

This part number complies with RoHS.

Notice: JYEBAO reserves the right to make modifications demand appropriate.