

SPECIFICATION FOR APPROVAL

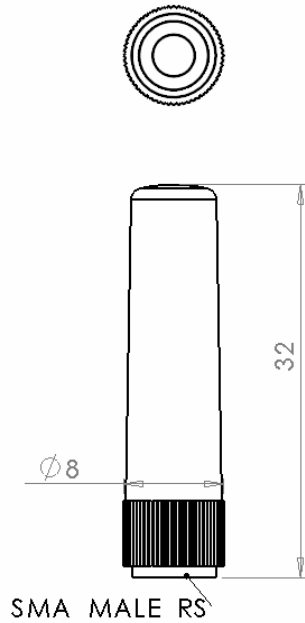
Customer :

Model No. : 2,4-ST-0-RPSMA

Description : 2.4~2.483GHz STUBBY ANTENNA

Date : 2007/12/05

Rev : 1



Electrical Specifications:

| | |
|-------------------|------------------------|
| Frequency Range : | 2.4~2.483GHz |
| VSWR : | ≤ 2.0 |
| Impedance : | $50\Omega \pm 5\Omega$ |
| Gain : | 0 dBi |
| Polarization : | Vertical |
| Power Handling : | N/A |
| Beam Width : | N/A |

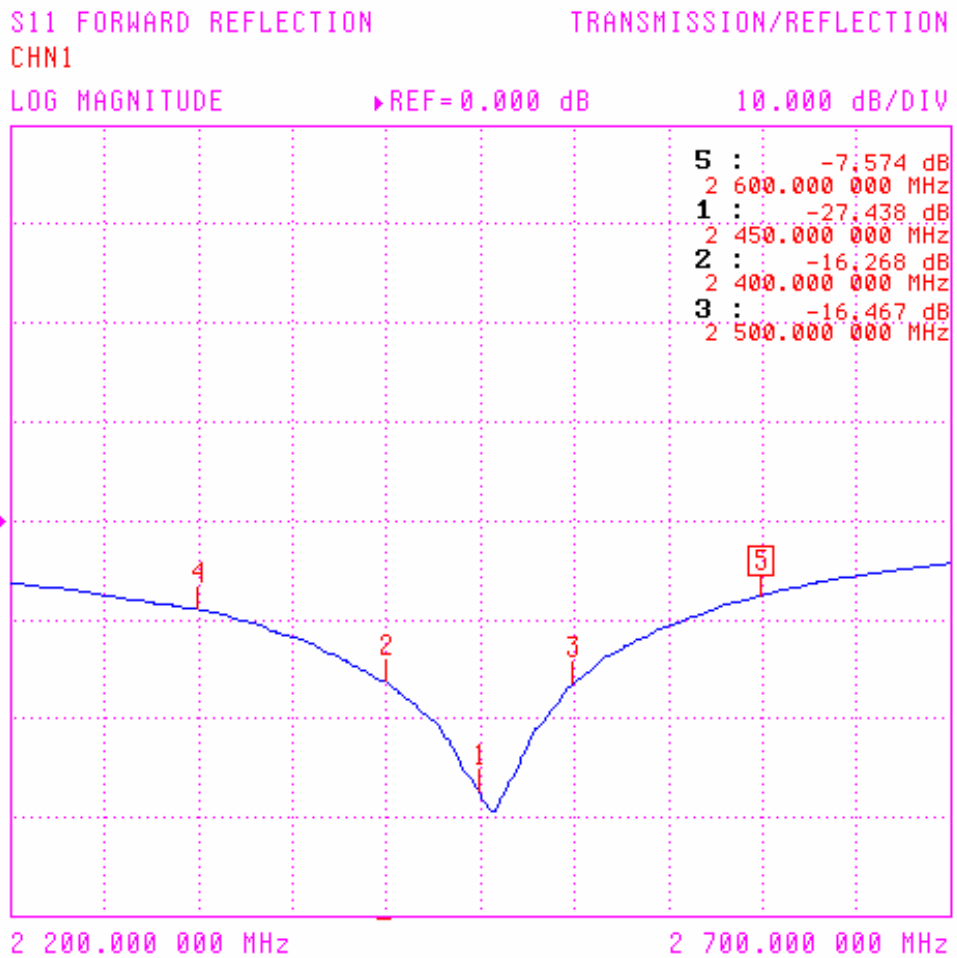
Mechanical Specifications:

| | |
|---------------------|--|
| Connector : | SMA MALE RS |
| Operation Temp.: | $-30^{\circ}\text{C} \sim +60^{\circ}\text{C}$ |
| Material : | Radome:PC |
| Dimension (L*W*H) : | $8\text{Ø} \times 32\text{mm}$ |
| Weight : | $5\text{g} \pm 1\text{g}$ |
| Color : | BLACK |

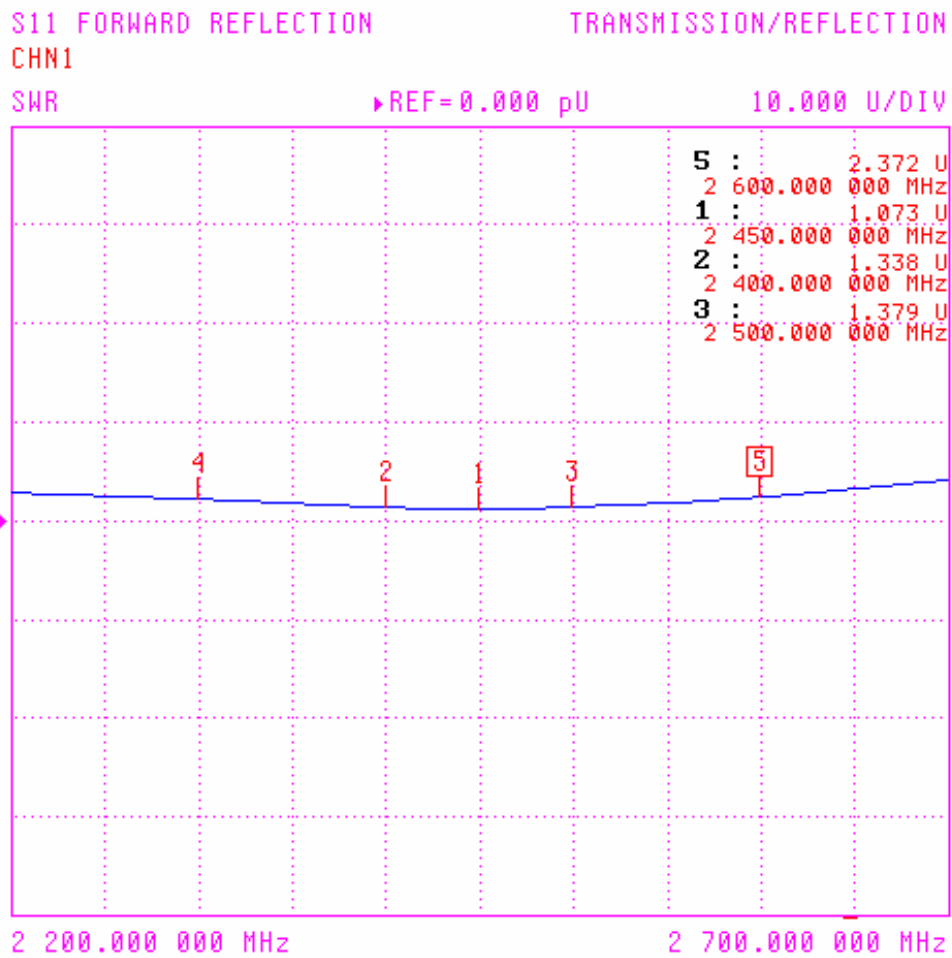
3D Illustration



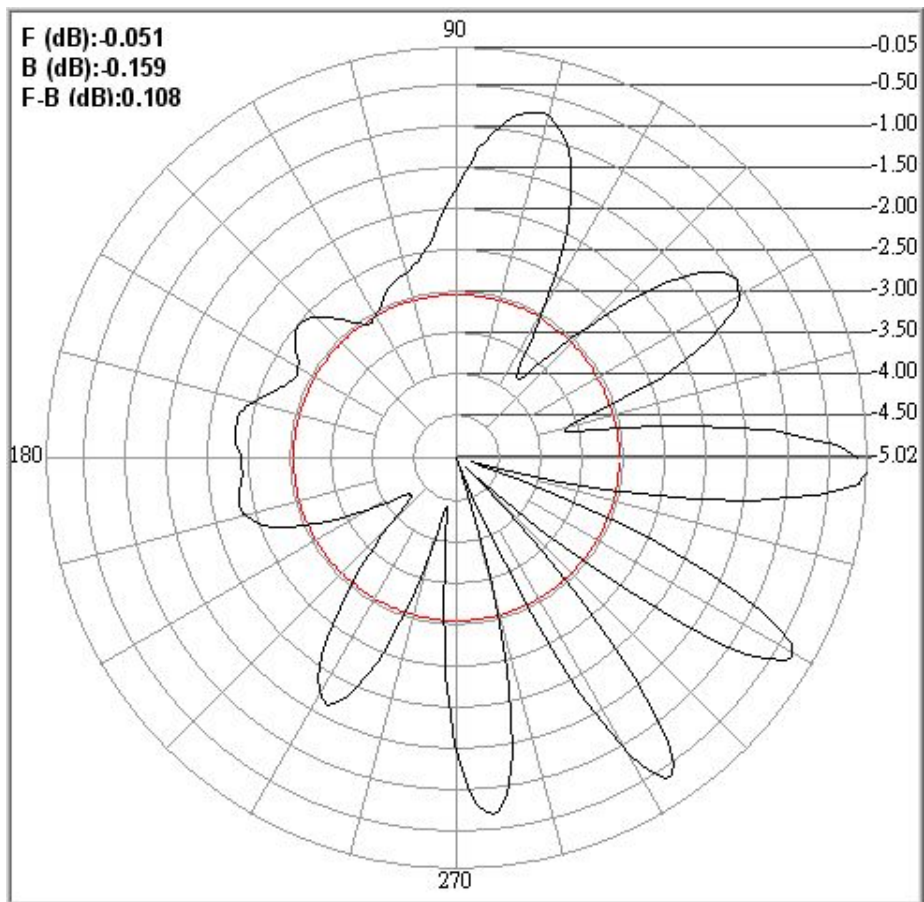
RETURN LOSS



SWR



H-PLANE



E-PLANE

