

SPECIFICATION FOR APPROVAL

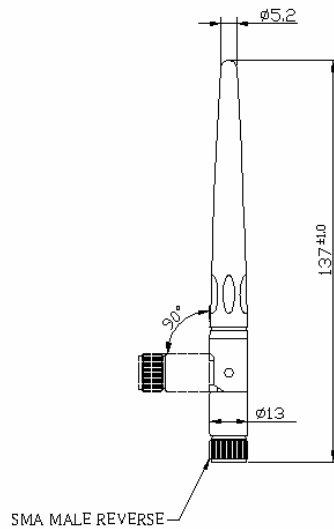
Customer :

Model No. : 2,4-RO-3-RPSMA

Description : 2.4~2.4835GHz SWIVEL ANTENNA

Date : 2006/12/04

Rev : 1



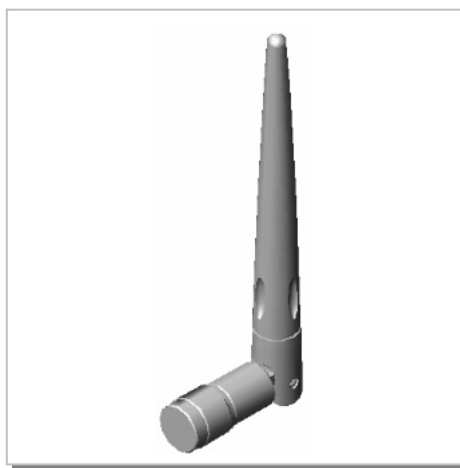
Electrical Specifications:

Frequency Range :	2.4 ~ 2.4835GHz
VSWR :	≤ 2.0
Impedance :	$50\Omega \pm 5\Omega$
Gain :	3dBi
Polarization :	Vertical
Power Handling :	1 Watt
Beam Width :	H: 360° / E: 32.2°

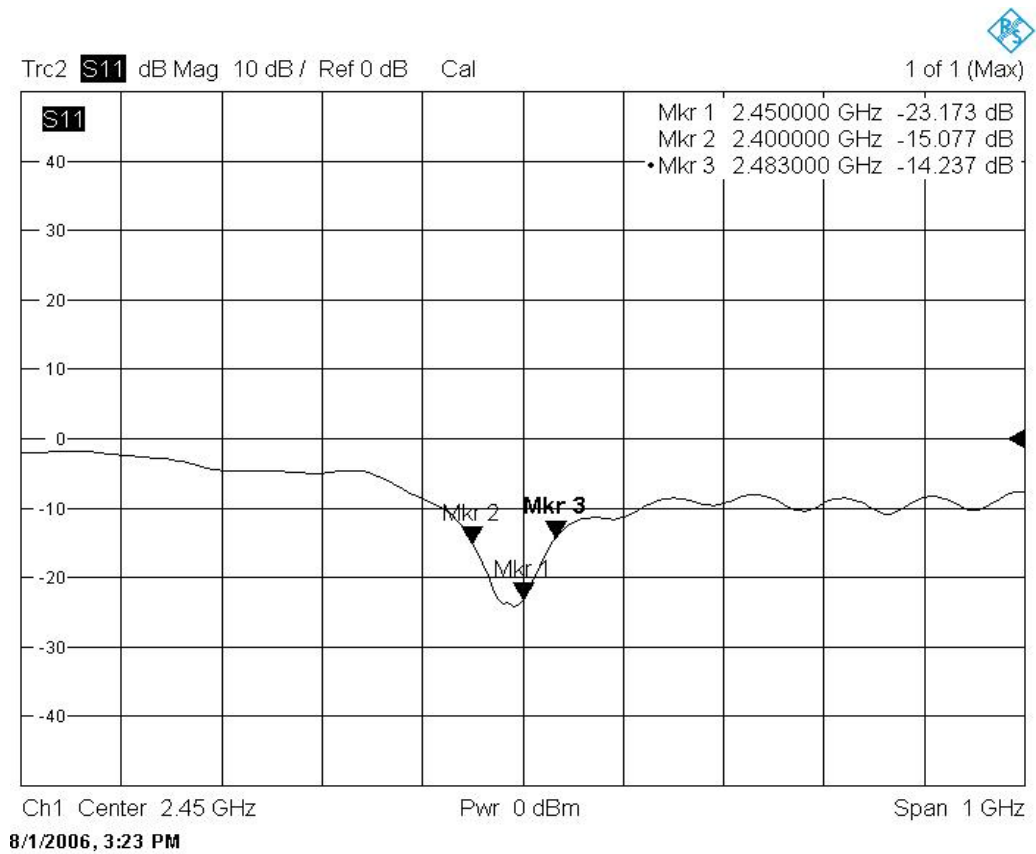
Mechanical Specifications:

Connector :	SMA Male RS
Operation Temp. :	$-30^\circ\text{C} \sim +60^\circ\text{C}$
Material :	Radome: ABS Base: ABS
Dimension (L*W*H) :	$137*13\text{O}$ mm
Weight :	$16\text{g} \pm 2\text{g}$
Color :	Black

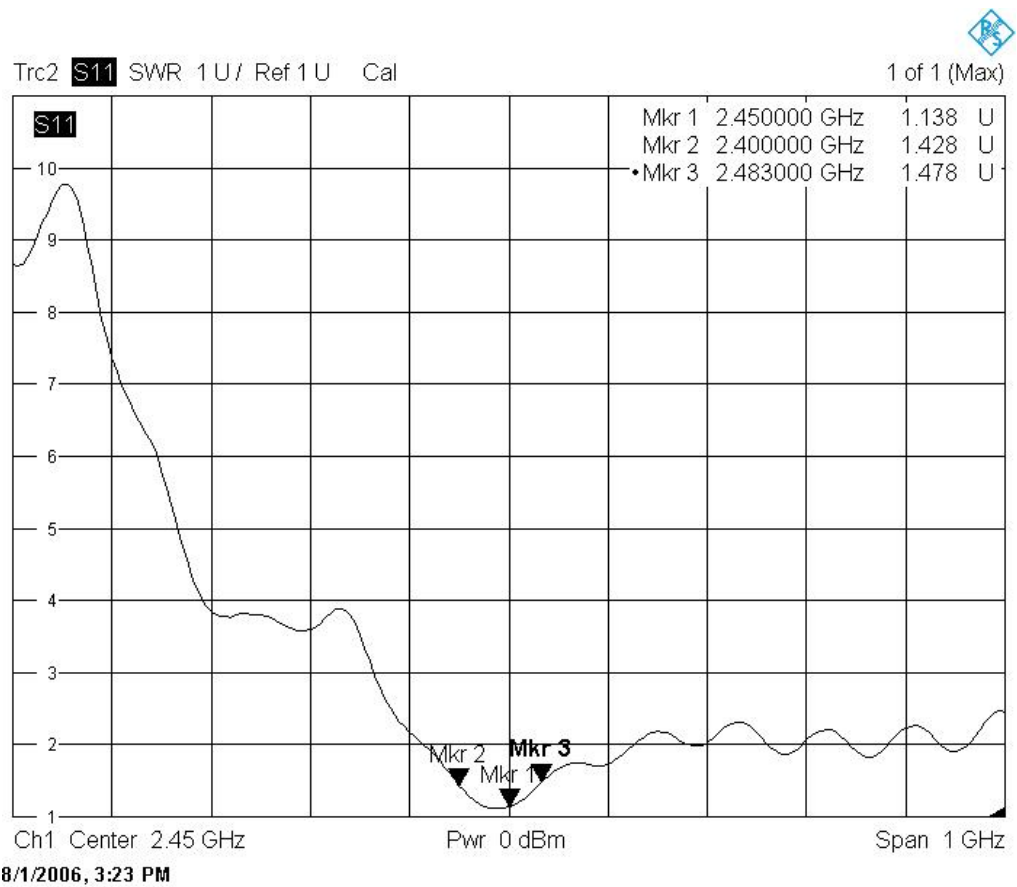
3D Illustration



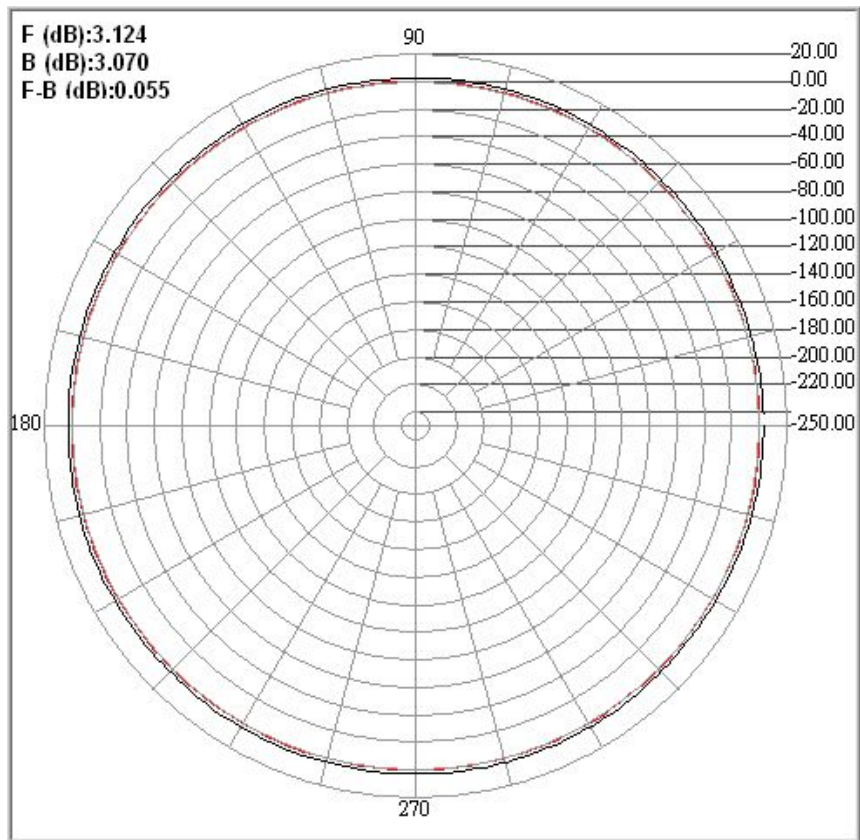
RETURN LOSS



SWR



H-PLANE



E-PLANE

