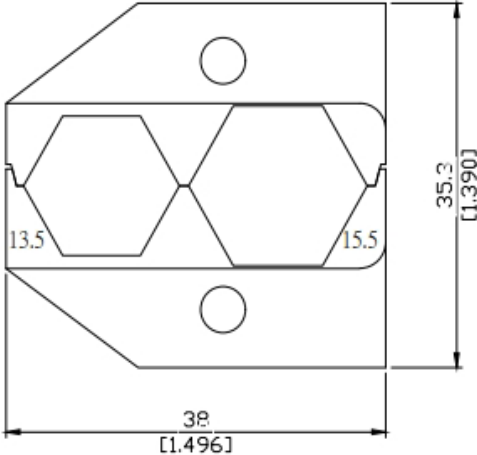


**Technical Data Sheet**

## Crimp Insert for Crimping Tool CRT-1 & CRT-2

Part no. 04149-F

INSERT-F	Crimp Insert To Be Used With Crimping Tool CRT-3	
 <p>Note: To be used with JYEBAO crimp tools CRT-3.</p>		
Parts	Material	Plating ( Micro-inch )
Insert	SKD11	Black Chromium 5 Over Copper 50